

# More Precision.



## optris® CX hs

红外测温仪测量最小的温差为0.025



### FEATURES

低噪声红外测温的新基准

适用于最小温差变化为0.025 的测量

容许低环境温度漂移达到极致

完整的固态设计，无任何移动部分

超低噪音的可用性红外测温仪

#### 基本参数

Environmental rating	IP 65 (NEMA-4)
Ambient temperature	-20 - 75° C
Storage temperature	-40 - 85° C
Relative humidity	10 - 95%, non condensing
Vibration	IEC 68-2-6: 3 G, 11 - 200 Hz, any axis
Shock	IEC 68-2-27: 50 G, 11 ms, any axis
Weight	350 g
<b>电气参数</b>	
Output /analog	4 - 20 mA
Output / alarm	0-30 V / 500 mA (open collector)
Outputs/digital (optional)	USB
Loop impedance	max. 1000 $\Omega$ <sup>1)</sup>
Cable length	8 m
Power supply	5 - 30 V DC

1) in dependence on supply voltage

#### 测量参数

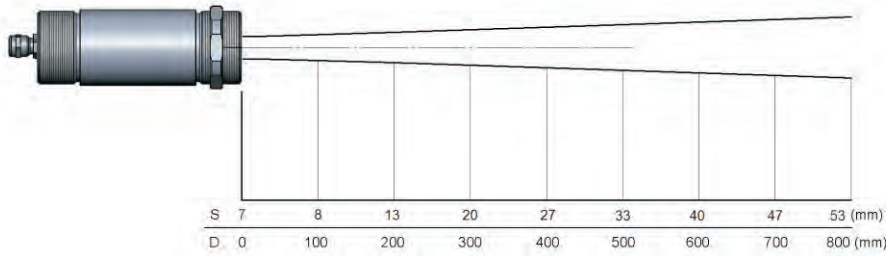
Temperature range (scalable via software)	-20 - 150°C
Spectral range	8 - 14 $\mu$ m
Optical resolution (90% energy)	15:1
CF-Optics (optional)	0.8 mm @ 10 mm
System accuracy (at ambient temperature 23 $\pm$ 5°C and object temperature > 20 °C)	$\pm$ 1% or $\pm$ 1 °C <sup>1</sup>
Repeatability (at ambient temperature 23 $\pm$ 5°C and object temperature > 20 °C)	$\pm$ 0.3% or $\pm$ 0.3°C <sup>1</sup>
Temperature resolution	0.025 K (for temperatures > 20°C, AVG > 0,2 s)
Response time (95%)	150 ms (adjustable up to 999 s via optional programming device)
Emissivity/Amplification (adjustable via software)	0.100 - 1.100
Transmissivity (adjustable via software)	0.100 - 1.100
Signal processing (parameter adjustable only via optional software)	peak hold, valley hold, average; extended hold function with threshold and hysteresis

<sup>1</sup> whichever is greater

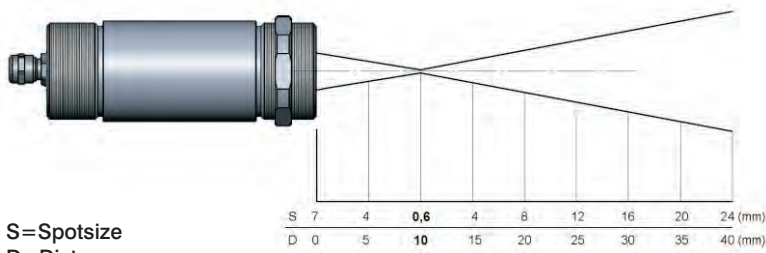
# optris® CX hs

## 光路图

15:1 optics

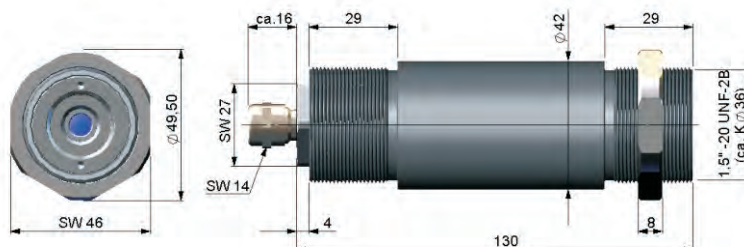


15:1 optics with CF-lens

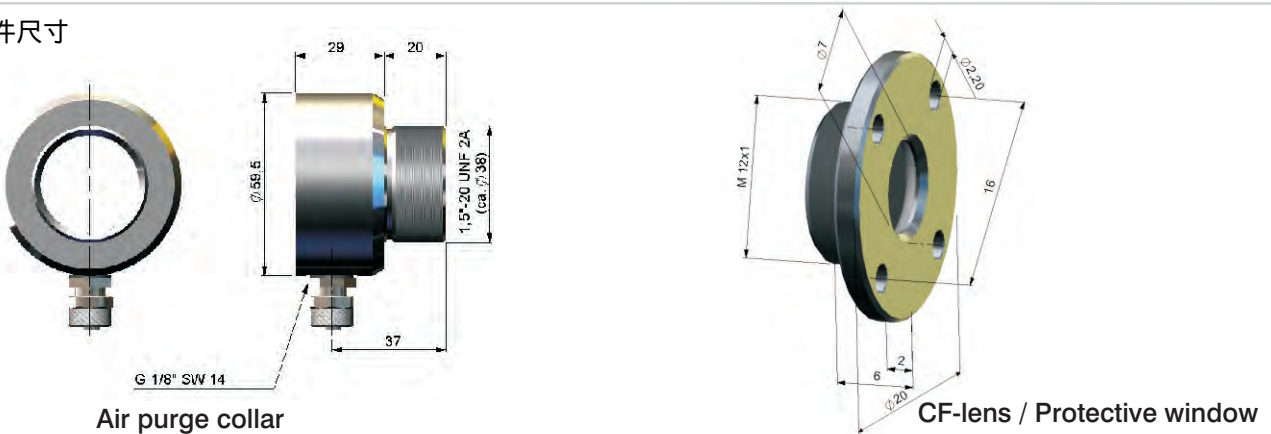


S=Spotsize  
D=Distance

## 尺寸图



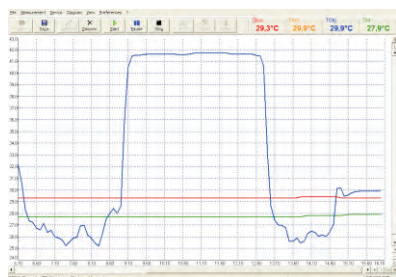
## 附件尺寸



Air purge collar

CF-lens / Protective window

## CompactConnect Software



- Software for easy sensor setup and remote controlling, supports multi tasking
- Graphic display for temperature trends and automatic data logging for analysis and documentation with 1 ms response time
- Adjustment of signal processing functions and programming of outputs of the sensor
- Automatic emissivity adjustment
- The software CompactConnect allows to customize the sensor to application needs of the user