

# Industrial process interface (PIF)

innovative infrared technology



# optris® Industrial process interface

## TECHNICAL DATA

### Features:

- Industrial process interface with 3 analog/ alarm outputs, 2 analog inputs, 1 digital input, 3 alarm relays
- 500 VAC<sub>RMS</sub> isolation voltage between camera and process
- Separate fail-safe relay output
- PI hardware including all cable connections and PI Connect software are permanently observed during operation



### General specifications

Environmental rating	IP65 (NEMA-4)
Ambient temperature	-30 °C ... 85 °C
Storage temperature	-30 °C ... 85 °C
Relative humidity	10–95 %, non-condensing
Vibration	IEC 60068-2-6 (sinus shaped) IEC 60068-2-64 (broadband noise)
Shock	IEC 60068-2-27 (25 g and 50 g)
Weight	610 g (with 5 m cable)
Cable lengths	5 m HT cable (standard), optional 10 m and 20 m

### Electrical specifications

Power supply	5–24 V DC
LED indication	2 x green LEDs for power and fail-safe/ 3 x red LEDs for alarm relay status
Isolation	500 VAC <sub>RMS</sub> between PI camera and process
Outputs	3 analog/ alarm outputs 3 alarm relays <sup>1)</sup>
Inputs	2 analog inputs 1 digital input
Ranges	0–10 V (for AO 1–3) <sup>2)</sup> 0–30 V / 400 mA (for alarm relays DO 1–3) 0–10 V (for AI 1–2) 24 V (for DI)

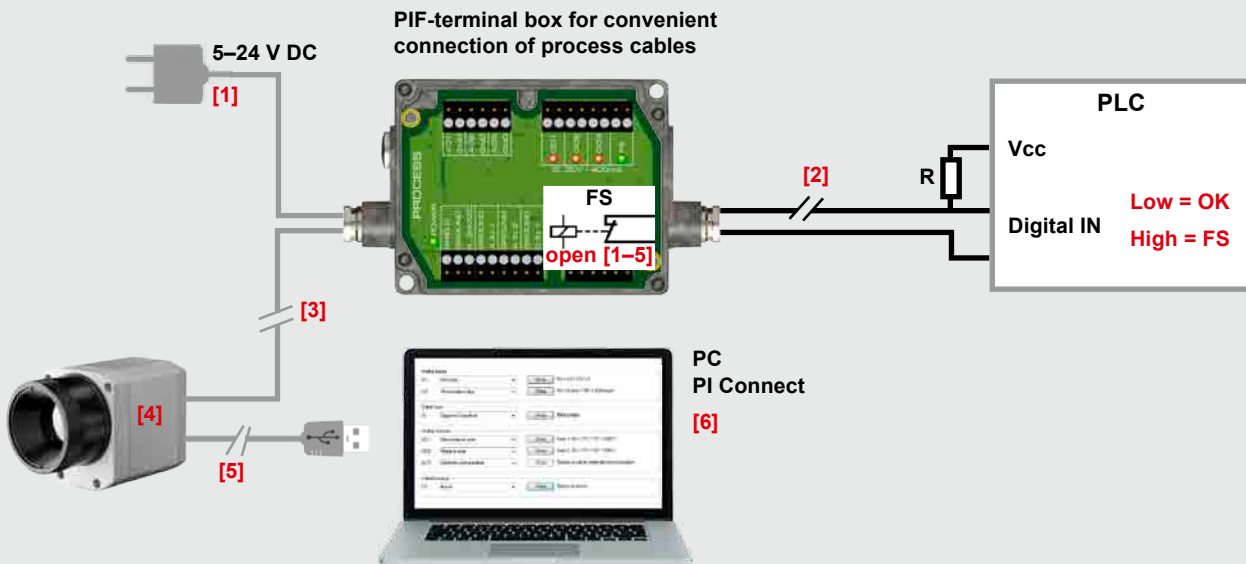
<sup>1)</sup> active if AO1, 2 or 3 is /are programmed as alarm output

<sup>2)</sup> depending on supply voltage

### Programmable features

Analog inputs	<ul style="list-style-type: none"> <li>• Emissivity setting</li> <li>• Ambient temperature compensation</li> <li>• Reference temperature</li> <li>• Uncommitted value</li> <li>• Flag control</li> <li>• Triggered snapshots, recordings, line scannings</li> </ul>
Digital input	<ul style="list-style-type: none"> <li>• Flag control</li> <li>• Triggered snapshots, recordings, line scannings</li> </ul>
Analog outputs	<ul style="list-style-type: none"> <li>• Main measure area</li> <li>• Measure area</li> <li>• Internal temperature</li> <li>• Flag status</li> <li>• Alarm</li> <li>• Frame sync.</li> <li>• Fail-safe</li> <li>• External communication</li> </ul>

Example for a fail-safe monitoring of the PI with a connected PLC



Fail-safe monitoring states

- [1] Breakdown of PIF power supply
- [2] Cable break of fail-safe cable
- [3] Interruption of cable PI-PIF
- [4] Malfunction of PI
- [5] Breakdown of PI power supply/  
Interruption of USB cable
- [6] Malfunction of PI Connect software

Fail-safe status:

Normal:	relay closed	LED on
Alarm:	relay open	LED off

Snapshot of programmable features

innovative infrared technology

Optris GmbH  
Ferdinand-Buisson-Str. 14  
13127 Berlin · Germany  
Tel.: +49 (0)30 500 197-0  
Fax: +49 (0)30 500 197-10  
Email: [sales@optris.com](mailto:sales@optris.com)  
[www.optris.com](http://www.optris.com)

